



Continuous Flow Water Heater Sideways Flue Diverter Installation Instruction

GENERAL INFORMATION

Sideways Flue Diverter Kits are designed to fit specific Rinnai Continuous Flow External Water Heater models as listed right.

These kits are **NOT** compatible with any other Rinnai or other manufacturers' appliance. For information regarding the compatibility of Sideways Flue Diverter kits with superseded continuous flow water heater models, contact Rinnai.

Rinnai Sideways Flue Diverter kits are certified by the Australian Gas Association (AGA) as components of the water heater appliances with which they are compatible. For the certification number see the data plate on the appliance.

SFD-01	SFD-02	SFD-03
REU-AM1220WD	REU-A1620WB	REU-A2024WB
REU-AM1620WD	REU-A1620WS	
REU-AM2024WD		
REU-AM2626WD		
REU-AM2626WDL		
REU-A2626WB		
REU-A2626WS		



Installation of heater and flue system shall be in accordance with:

- **Manufacturers Installation Instructions.**
- **Current AS/NZS 5601 Gas Installations.**
- **Local Regulations and Municipal Building Codes.**

Installation, service and removal ONLY by an Authorised Person.

Continuous flow water heater to be installed in accordance with the 'Operation / Installation Manual' supplied with the appliance.

APPLICATIONS

Rinnai Sideways Flue Diverter kits are intended for fitting to Rinnai continuous flow water heaters installed on balconies, patios or similarly enclosed areas to facilitate free discharge of combustion products out of the enclosed area.

This may not occur if the appliance is installed without the sideways flue diverter kit.

Rinnai external continuous flow water heaters mounted against a wall without the sideways flue diverter kit, will expel flue products in a horizontal direction outwards and away from the wall against which the appliance is mounted.

Fitment of the sideways flue diverter kit results in the flue products being expelled from the appliance in a sideways direction, along the wall as shown in Figure 1. SFD-01, SFD-02 and SFD-03 differ only by the size of the opening to suit the flue outlet of the appliance.

LOCAL CONDITIONS AND CLEARANCES

The location of the flue terminal of Rinnai continuous flow water heaters when fitted with the sideways flue diverter kit shall comply with Clause 6.9.4 of AS/NZS 5601 when installed under covered areas and recesses, or balconies. Other relevant clearance in Figure 6.9.3 of AS/NZS 5601 continue to apply when the sideways flue diverter kit is fitted.

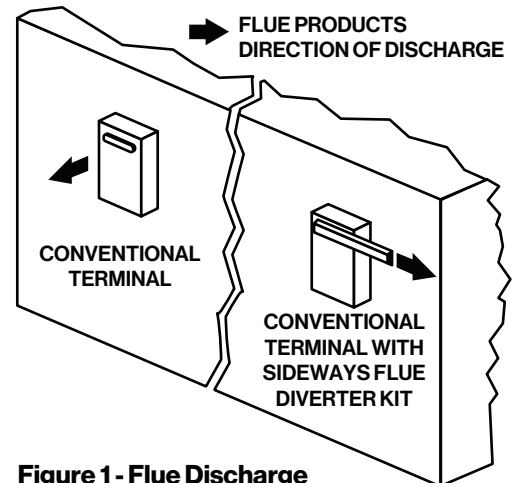


Figure 1 - Flue Discharge



Fitment of the Rinnai Sideways Flue Diverter kit is suitable ONLY when all flue products result in being expelled freely into an above ground open-air situation with natural ventilation, without stagnant areas where products of combustion are rapidly dispersed by wind and natural convection.

The Rinnai Sideways Flue Diverter kits are compatible for installation with Rinnai metallic Recess box RBOX04/RBOX04L or RBOX06LW only. They must not be used with any other Rinnai recess boxes, including the plastic Smartbox model.

Rinnai Sideways Flue Diverter kits are suitable for single water heater applications only. They are NOT suitable for multiple installations of Rinnai continuous flow water heaters under covered areas and recesses, or balconies.

The Rinnai Sideways Flue Diverter kits are certified for use only with the Rinnai continuous flow water heater models listed in this Instruction. They are NOT compatible with any other Rinnai or other manufacturers' appliances.

Covered areas and recesses

For partially or fully covered areas and recesses, which are not balconies and which are open on only one side, see Figure 2 below.

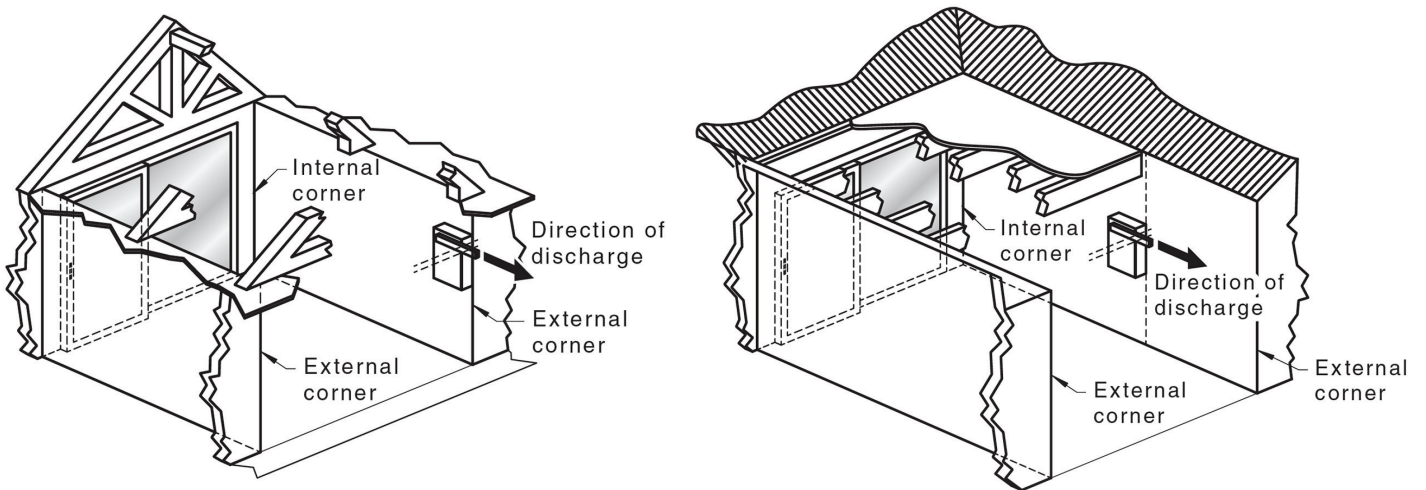
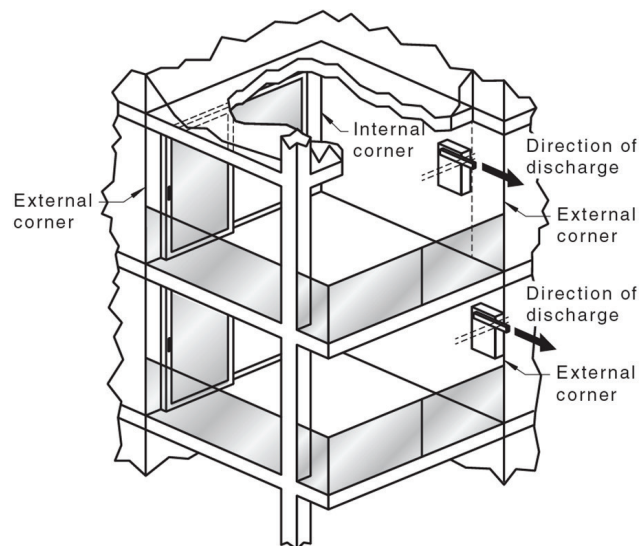


Figure 2

Balconies

For all balconies, regardless of the number of open sides and including partially covered balconies, see Figure 3 below.



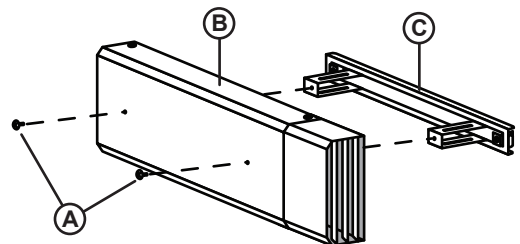
Note: This includes balconies installed at ground level

Figure 3

DIVERTER ASSEMBLY AND INSTALLATION

(i) Preparation

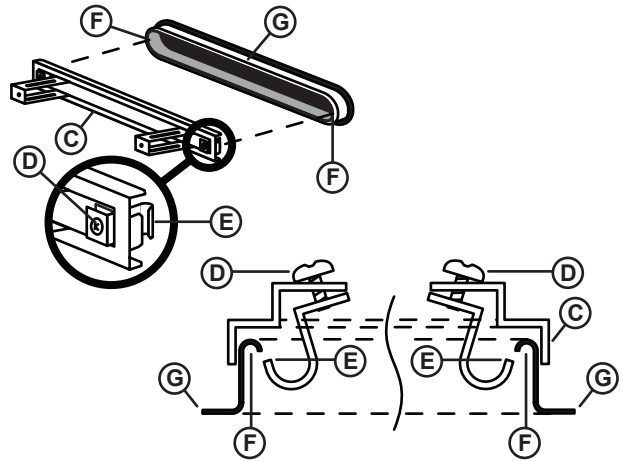
1. Unpack the flue diverter assembly from its packaging.
2. Remove the two retaining screws (A) from the front of the box panel (B).
3. Separate the mounting bracket (C) from the rear of the box panel (B).



(ii) Fitting Mounting Bracket To The Appliance

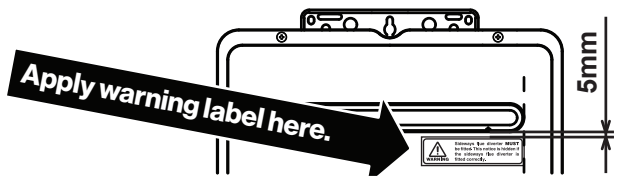
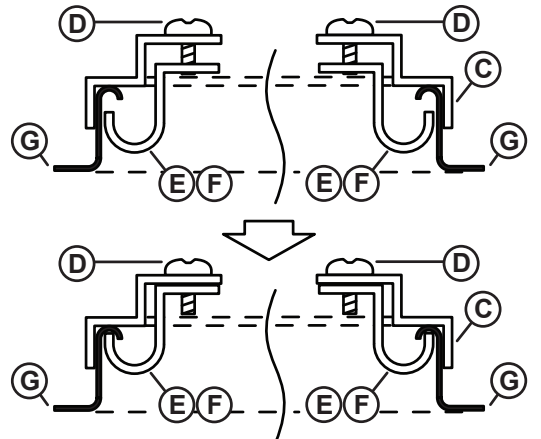
1. Loosen the 2 adjustment screws (D) located on both ends of mounting bracket (C).

This allows cup hooks (E) of the mounting bracket (C) to be positioned inside the lip (F) of the appliance flue terminal (G).



(iii) Securing Mounting Bracket To The Appliance

1. Align the cup hooks (E) with the lip (F) so that when the 2 adjustment screws (D) are re-tightened both will engage.
2. Re-tighten the 2 adjustment screws (D) until the cup hooks (E) and (F) the lip are firmly engaged and secured.
3. Apply the warning label to water heater, aligning the label to the right edge and 5mm below the flue spigot as shown.



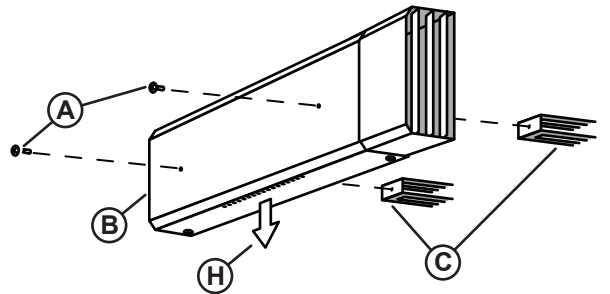
NOTE The warning label becomes hidden once the sideways flue diverter is fitted to the appliance.

This warning label reminds a service person to replace the sideways flue diverter after servicing activities.

(iv) Attaching The Box Panel

1. Re-attach the box panel (B) to the mounting bracket (C) with the retaining screws (A) removed in step 2.

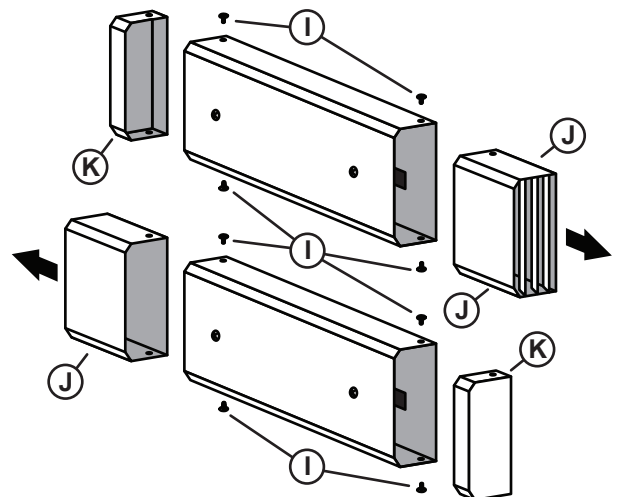
Ensure that the drainage holes (H) are pointing downwards. See step (v) for details of left or right handed flue product discharge



(v) Left or Right Handed Installations

The sideways diverter can be installed for left or right handed flue product discharge.

1. To set the direction of discharge remove the four retaining screws (I) from the top and bottom of the box panel (B).
2. Remove both the terminal (J) and the blanking plate (K) from each and reverse their positions to suit discharge requirements.
3. Re-secure the terminal (J) and the blanking plate (K) in the new position with the four retaining screws (I) removed in step 1.



NOTE The arrows ← / → in the images denote the flue product discharge direction.

SIDEWAYS FLUE DIVERTER EXTENSION (SFDE)

Ordered separately, SFDE is an optional flue extension, that extends the terminal of the sideways flue diverter by an additional 450mm.

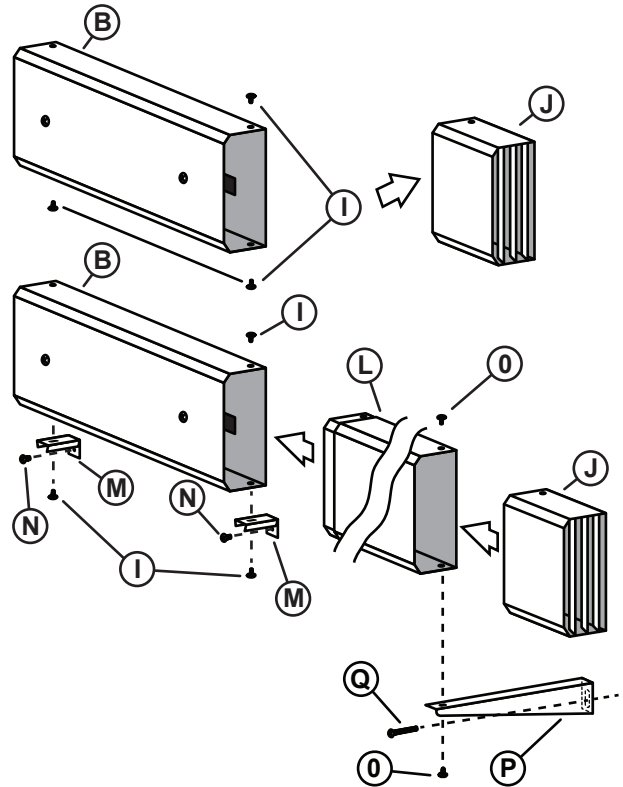


Only ONE extension piece is approved for fitment to any ONE sideways flue diverter installation. The fitment of multiple extension pieces, connection of multiple appliances or the modification of any component is NOT permitted and may void the Rinnai appliance warranty conditions.

The images shown below are for a right handed extension, when installing a left handed extension mirror the instructions.

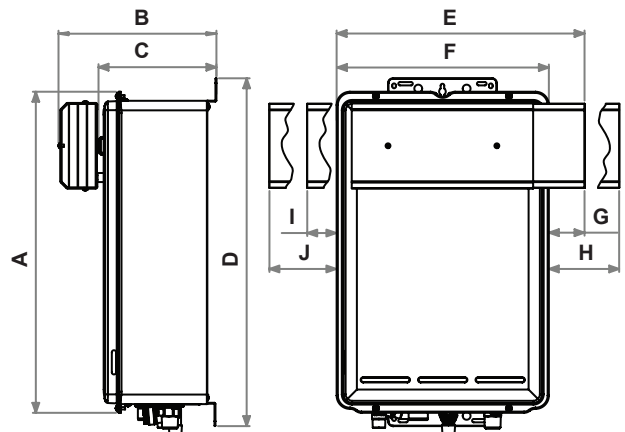
(vi) SFDE Installation

- To install the extension remove three of the retaining screws (I) as shown from box panel (B) and remove the terminal (J).
- Insert the narrow end of the extension piece (L) into the box panel (B) and secure in place with upper retaining screw (I) removed in step 1.
- Install the right angle supports (M) to the bottom of the box panel (B) using the two lower retaining screws (I) removed in step 1.
- Secure right angle supports to the cover of the water heater with self tapping screws (N), a 2mm pilot hole may be drilled to assist (**CAUTION: Drill depth MUST NOT exceed 5mm**).
- Re-secure the terminal (J) to the end of the extension piece (L) with the top retaining screw (O).
- Loosely install the wall support bracket (P) to the lower end of the extension piece (L) with the lower retaining screw (O).
- Confirm that the wall support bracket (P) is positioned to provide direct support to the extension and is level, then secure the support bracket to the wall using appropriate installer supplied fixing(s) (Q).
- Tighten the lower retaining screw (O) to complete installation.



SFD / SFDE Key Installation Dimensions (mm)

Dim'	A Series	AM Series
	REU-A1620	
A	531	503
B	260	267
C	195	202
D	571	571
E	371	413
F	351	356
G	20	57
H	470	507
I	55	57
J	505	507



Rinnai Australia Pty Ltd

ABN 74 005 138 769

AU45204

100 Atlantic Drive, Keysborough, Victoria 3173

P.O. Box 460, Braeside, Victoria 3195

Tel: (03) 9271 6625 Fax: (03) 9271 6622

National Help Line

Tel: 1300 555 545* Fax: 1300 555 655*

Hot Water Service Line

Tel: 1800 000 340*

*Cost of a local call may be higher from a mobile phone.

(National calls from public phones in Australia are free.)

For further information visit www.rinnai.com.au or email enquiry@rinnai.com.au

Rinnai has a Service and Spare Parts network with personnel who are fully trained and equipped to give the best service on your Rinnai appliance.

If your appliance requires service, please call our National Help Line. Rinnai recommends that this appliance be serviced every 2 years.

With our policy of continuous improvement, we reserve the right to change, or discontinue at any time, specifications or designs without notice.