



# Continuous Flow Water Heater

## Sideways Flue Diverter Installation Instruction SFD-04

### GENERAL INFORMATION

Sideways Flue Diverter Kits are designed to fit specific Rinnai Continuous Flow External Water Heater models as listed right.

These kits are **NOT** compatible with any other Rinnai or other manufacturers' appliance. For information regarding the compatibility of Sideways Flue Diverter kits with superseded continuous flow water heater models, contact Rinnai.

Rinnai Sideways Flue Diverter kits are certified by the Australian Gas Association (AGA) as components of the water heater appliances with which they are compatible. For the certification number see the data plate on the appliance.

<b>SFD-04</b>
(REU-E2626W)
(REU-E1620W)



**Installation of water heater and accessories shall be in accordance with:**

- **Manufacturers Installation Instructions.**
- **Current AS/NZS 5601 Gas Installations.**
- **Local Regulations and Municipal Building Codes.**

**Installation, service and removal ONLY by an Authorised Person.**

**Continuous flow water heater to be installed in accordance with the 'Operation / Installation Manual' supplied with the appliance.**

### APPLICATIONS

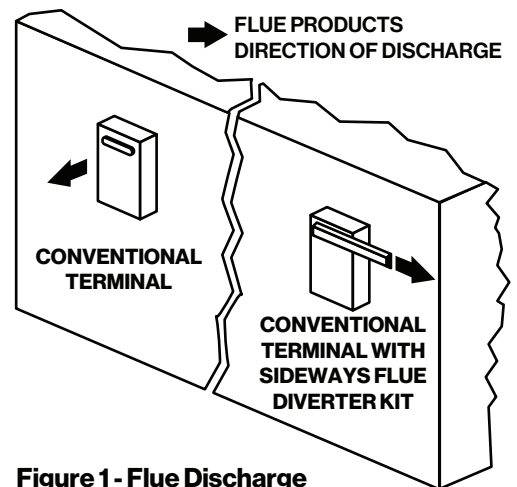
Rinnai Sideways Flue Diverter kits are intended for fitting to Rinnai continuous flow water heaters installed on balconies, patios or similarly enclosed areas to facilitate free discharge of combustion products out of the enclosed area. This may not occur if the appliance is installed without the sideways flue diverter kit.

Rinnai external continuous flow water heaters mounted against a wall without the sideways flue diverter kit, will expel flue products in a horizontal direction outwards and away from the wall against which the appliance is mounted.

Fitment of the sideways flue diverter kit results in the flue products being expelled from the appliance in a sideways direction, along the wall as shown in Figure 1.

### LOCAL CONDITIONS AND CLEARANCES

The location of the flue terminal of Rinnai continuous flow water heaters when fitted with the sideways flue diverter kit shall comply with Clause 6.9.4 of AS/NZS 5601 when installed under covered areas and recesses, or balconies. Other relevant clearance in Figure 6.9.3 of AS/NZS 5601 continue to apply when the sideways flue diverter kit is fitted.



**Figure 1 - Flue Discharge**



**Fitment of the Rinnai Sideways Flue Diverter kit is suitable ONLY when all flue products result in being expelled freely into an above ground open-air situation with natural ventilation, without stagnant areas, where products of combustion are rapidly dispersed by wind and natural convection.**

**The Rinnai Sideways Flue Diverter kits are compatible for installation with Rinnai metallic Recess box RBOX07L only. They must not be used with any other Rinnai recess boxes, including the plastic Smartbox model.**

**Rinnai Sideways Flue Diverter kits are suitable for single water heater applications ONLY. They are NOT suitable for multiple installations of Rinnai continuous flow water heaters on one balcony, patio or similarly enclosed space.**

**The Rinnai Sideways Flue Diverter kits are certified for use only with the Rinnai continuous flow water heater models listed in this Instruction. They are NOT compatible with any other Rinnai or other manufacturers' appliances.**

## Covered areas and recesses

For partially or fully covered areas and recesses, which are not balconies and which are open on only one side, see Figure 2 below.

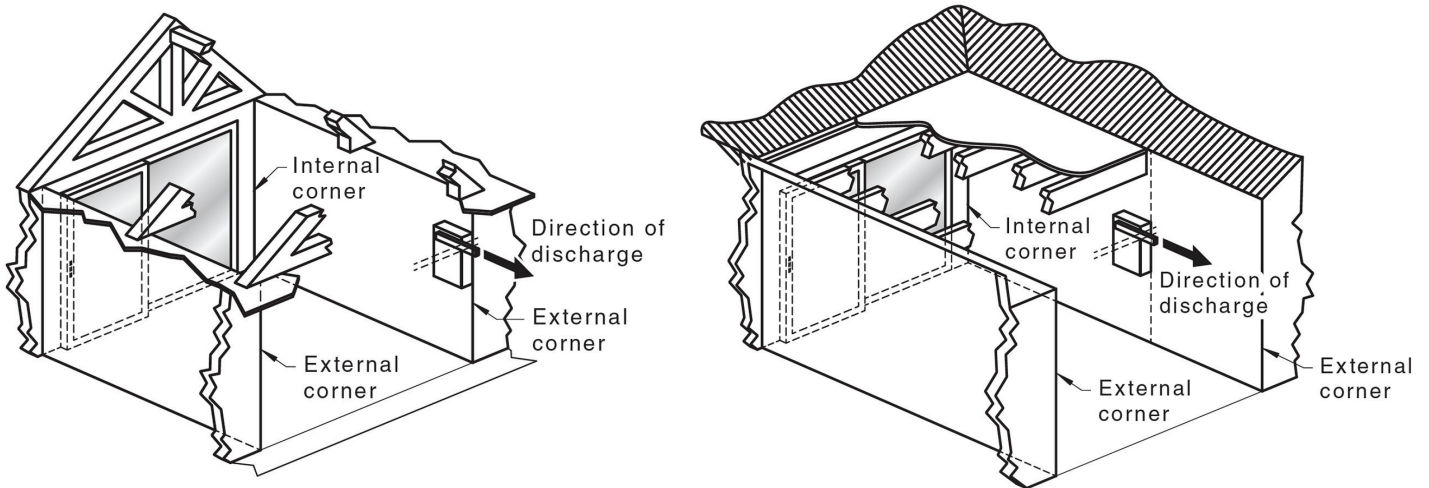
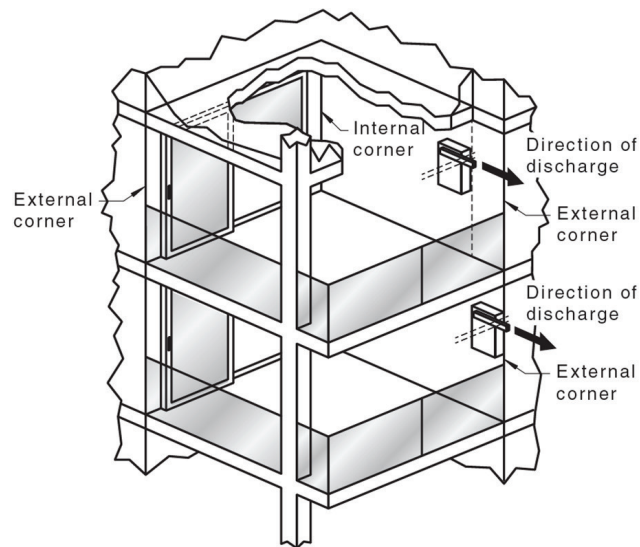


Figure 2

## Balconies

For all balconies, regardless of the number of open sides and including partially covered balconies, see Figure 3 below.

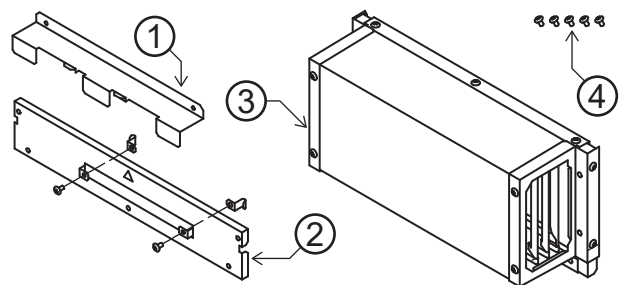


Note: This includes balconies installed at ground level

Figure 3

## List of Components

Part No.	Description	Quantity
1	Mounting Plate	1
2	Mounting Bracket	1
3	Flue Diverter Box Assembly	1
4	Flue Diverter Box Fixing Screws	5



## DIVERTER ASSEMBLY AND INSTALLATION

### (i) Preparation

- Unpack the flue diverter components from the packaging.



**Inspect all components for damage and immediately report any damage or discrepancies to the Supplier. For safety and warranty purposes, items that may be damaged or incorrect MUST NOT be installed or operated under ANY circumstances.**

### (ii) Fitting of Mounting Plate

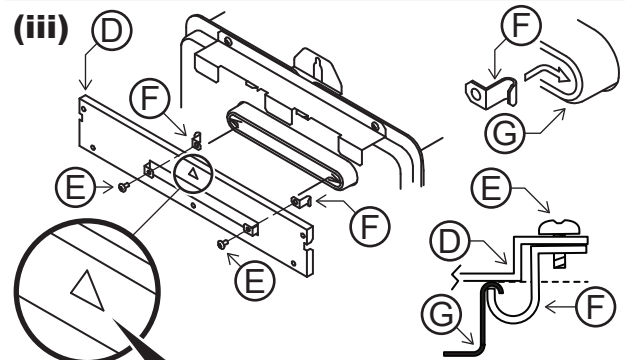
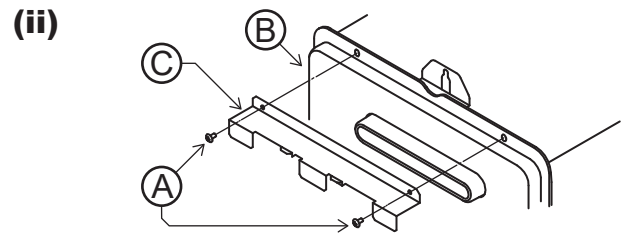
- Remove the top two retaining screws (A) from the front cover of the water heater (B).
- Fit the mounting plate (C) as shown to the front cover water heater (B) with the retaining screws (A) removed in step 1.

### (iii) Fitting of Mounting Bracket

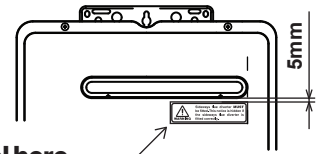
- Loosen the two adjustment screws (E) that are located at each end of the flue discharge slot of mounting bracket (D).

This enables cup hooks (F) of the mounting bracket (D) to be positioned inside the lip of the appliance flue terminal (G).

- With the orientation arrow  $\triangle$  pointing upwards, align the cup hooks (F) with the flue lip (G) so that when the two adjustment screws (E) are re-tightened both will engage.
- Tighten the two adjustment screws (E) until the cup hooks (F) and the flue lip (G) are firmly engaged and the bracket secured.
- Apply the warning label to water heater, aligning the label to the right edge and 5mm below the flue spigot as shown.

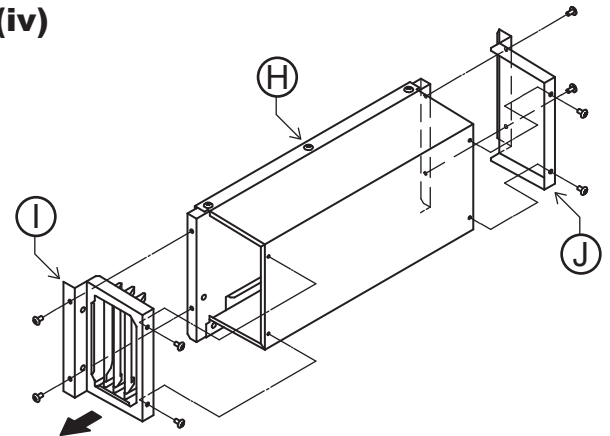


**Arrow on mounting bracket MUST be pointing upwards!**

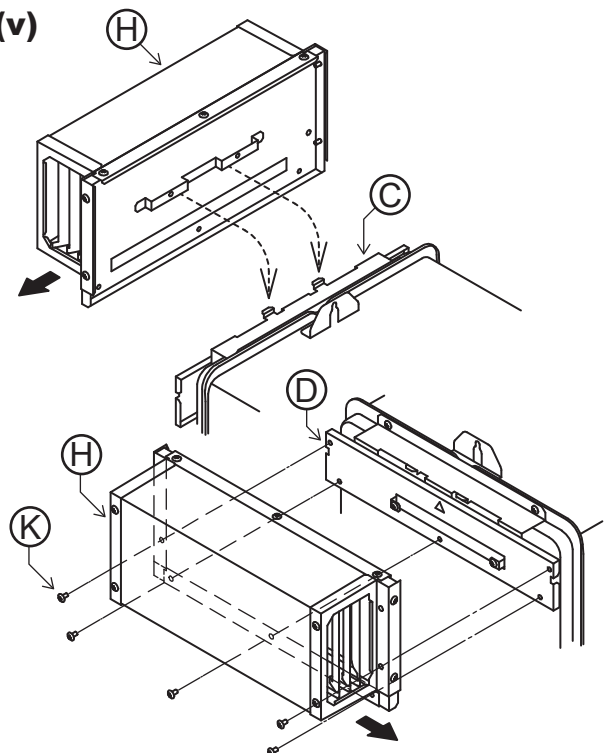


**Apply the warning label here**

### (iv)



### (v)



**The warning label is obscured once the sideways flue diverter is fitted to the appliance. This warning label reminds a service person to replace the sideways flue diverter after servicing activities.**

### (iv) Left or Right Handed Installations



**The sideways diverter can be set up to discharge flue products to either the right or left. Out of the box, the kit is assembled so that the discharge is to the right.**

**If a left handed discharge is required then follow the steps below, otherwise proceed to step (v).**

**The arrow  $\blacktriangleright$  in denotes the direction of flue product discharge.**

- To set the direction of discharge remove the eight retaining screws that secure both the flue discharge terminal (I) and the blanking plate (J) to the diverter box assembly (H).
- Swap the flue discharge terminal (I) and the blanking plate (J) to the opposite ends and then re-secure them in the new position with the eight retaining screws removed in step 1.

### (v) Attaching Flue Diverter Box Assembly

- Attach the flue diverter box assembly (H) onto the hooks of the mounting bracket (C) as shown right.
- Secure the flue diverter box assembly (H) to the mounting bracket (C) with the five flue diverter box fixing screws (K) as shown.

## SFD-04 Key Installation Dimensions (mm)

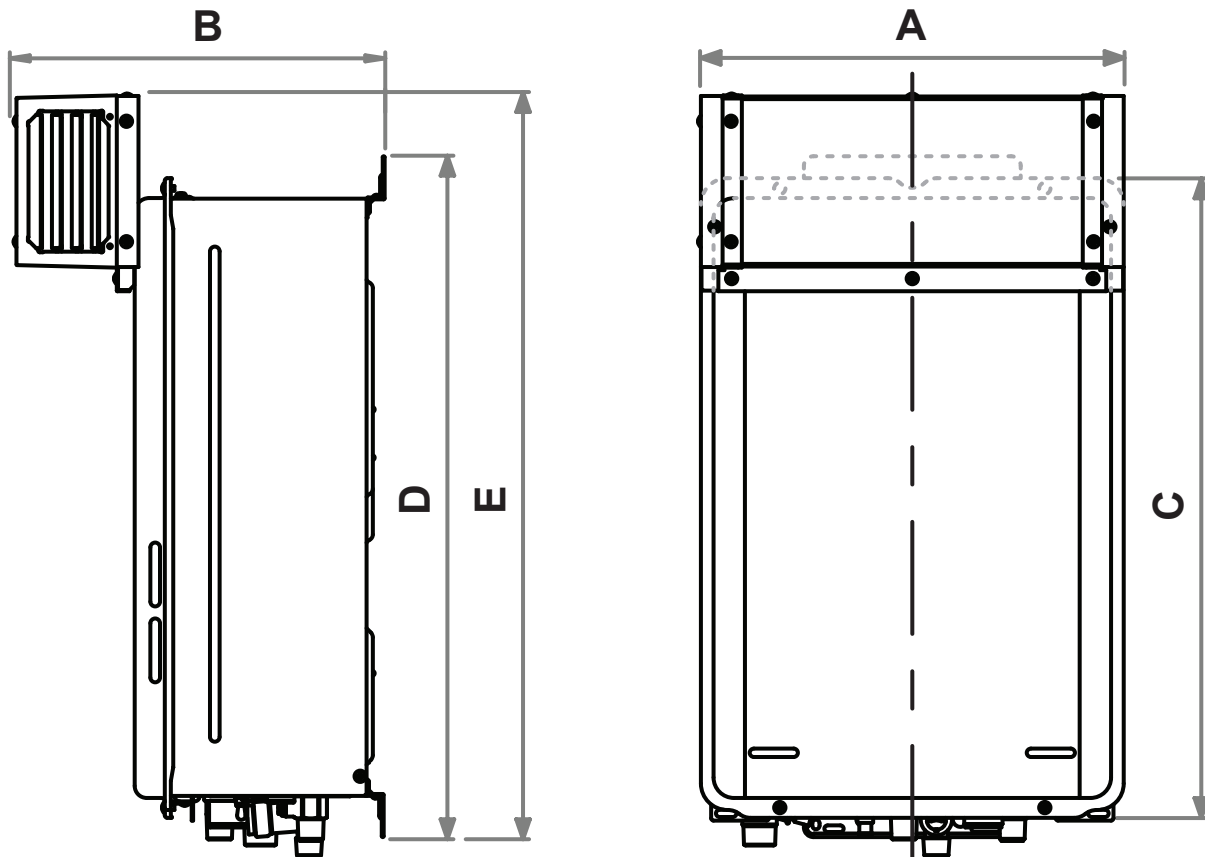


Please note that the following water heater dimensions provided below are for the Australia water heater models: Infinity Enviro 26 (REU-E2626W) and Infinity Enviro 16 (REU-E1620W). The dimensions of models outside of Australia may vary. Please contact your local Rinnai supplier or service agent for dimensions specific to your appliance.



**NO SIDEWAYS FLUE DIVERTER EXTENSION (SFDE) for this SFD.**

Compatible Models	Dimension				
	A	B	C	D	E
REU-E2626W / REU-E1620W	351	305	531	565	616



Please note that the contact details and the below are for installations in Australia only. For all enquiries outside of Australia please contact your local Rinnai supplier or service agent.

## Rinnai Australia Pty Ltd

ABN 74 005 138 769 AU45204

100 Atlantic Drive, Keysborough, Victoria 3173

P.O. Box 460, Braeside, Victoria 3195

Tel: (03) 9271 6625

Fax: (03) 9271 6622

### National Help Line

Tel: 1300 555 545\* Fax: 1300 555 655\*

### Hot Water Service Line

Tel: 1800 000 340\*

\*Cost of a local call may be higher from a mobile phone.

(National calls from public phones in Australia are free.)

For further information visit [www.rinnai.com.au](http://www.rinnai.com.au)

or email [enquiry@rinnai.com.au](mailto:enquiry@rinnai.com.au)

With our policy of continuous improvement, we reserve the right to change, or discontinue at any time, specifications or designs without notice.