



Continuous Flow Water Heater

Sideways Flue Diverter Installation Instruction SFD-05

GENERAL INFORMATION

Sideways Flue Diverter Kits are designed to fit specific Rinnai Continuous Flow External Water Heater models as listed right.

These kits are **NOT** compatible with any other Rinnai or other manufacturers' appliance. For information regarding the compatibility of Sideways Flue Diverter kits with superseded continuous flow water heater models, contact Rinnai.

Rinnai Sideways Flue Diverter kits are certified by the Australian Gas Association (AGA) as components of the water heater appliances with which they are compatible. For the certification number see the data plate on the appliance.

**SFD-05
(REU-SFD-A32)**

REU-AM3237W
REU-AM3237WC



Installation of heater and flue system shall be in accordance with:

- **Manufacturers Installation Instructions.**
- **Current AS/NZS 5601 Gas Installations.**
- **Local Regulations and Municipal Building Codes.**

Installation, service and removal ONLY by an Authorised Person.

Continuous flow water heater to be installed in accordance with the 'Operation / Installation Manual' supplied with the appliance.

APPLICATIONS

Rinnai Sideways Flue Diverter kits are intended for fitting to Rinnai continuous flow water heaters installed on balconies, patios or similarly enclosed areas to facilitate free discharge of combustion products out of the enclosed area.

This may not occur if the appliance is installed without the sideways flue diverter kit.

Rinnai external continuous flow water heaters mounted against a wall without the sideways flue diverter kit, will expel flue products in a horizontal direction outwards and away from the wall against which the appliance is mounted.

Fitment of the sideways flue diverter kit results in the flue products being expelled from the appliance in a sideways direction, along the wall as shown in Figure 1.

LOCAL CONDITIONS AND CLEARANCES

The location of the flue terminal of Rinnai continuous flow water heaters when fitted with the sideways flue diverter kit shall comply with Clause 6.9.4 of AS/NZS 5601 when installed under covered areas and recesses, or balconies. Other relevant clearance in Figure 6.9.3 of AS/NZS 5601 continue to apply when the sideways flue diverter kit is fitted.

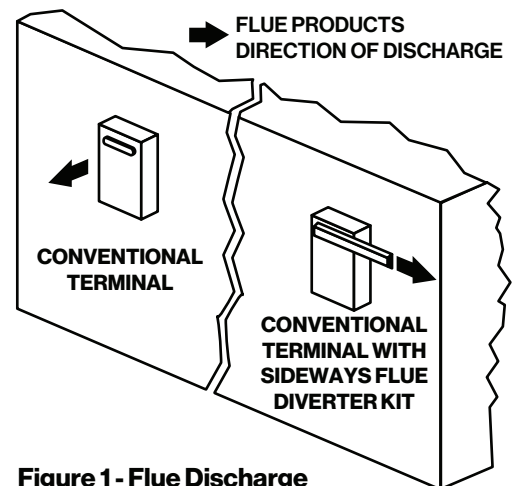


Figure 1 - Flue Discharge



Fitment of the Rinnai Sideways Flue Diverter kit is suitable ONLY when all flue products result in being expelled freely into an above ground open-air situation with natural ventilation, without stagnant areas where products of combustion are rapidly dispersed by wind and natural convection.

This Rinnai Sideways Flue Diverter kit is NOT suitable for installation in any Rinnai recess box. Contact Rinnai for further information.

The Rinnai Sideways Flue Diverter kit is NOT compatible with any other manufacturers' recessing products.

Rinnai Sideways Flue Diverter kits are suitable for single water heater applications ONLY. They are NOT suitable for multiple installations of Rinnai continuous flow water heaters on one balcony, patio or similarly enclosed space.

The Rinnai Sideways Flue Diverter kits are certified for use only with the Rinnai continuous flow water heater models listed in this Instruction. They are NOT compatible with any other Rinnai or other manufacturers' appliances.

Covered areas and recesses

For partially or fully covered areas and recesses, which are not balconies and which are open on only one side, see Figure 2 below.

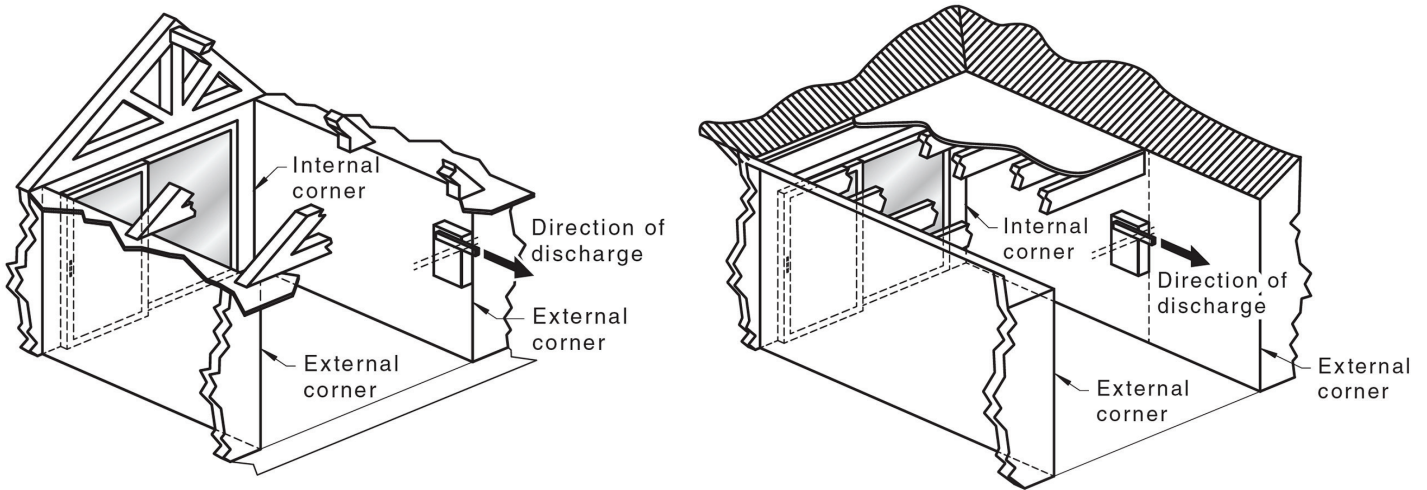
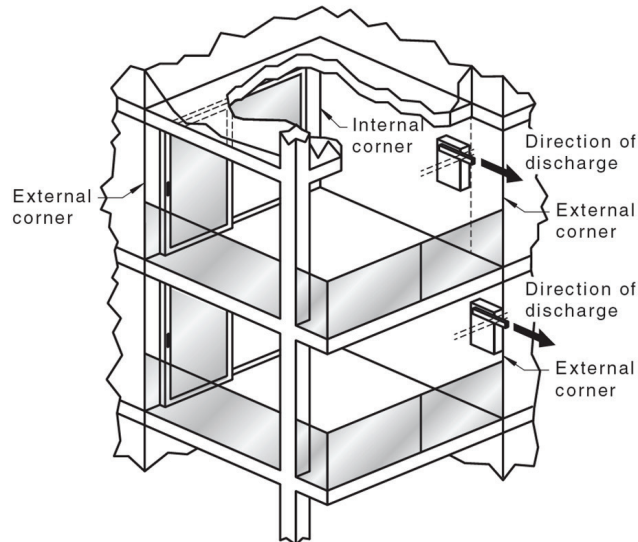


Figure 2

Balconies

For all balconies, regardless of the number of open sides and including partially covered balconies, see Figure 3 below.



Note: This includes balconies installed at ground level

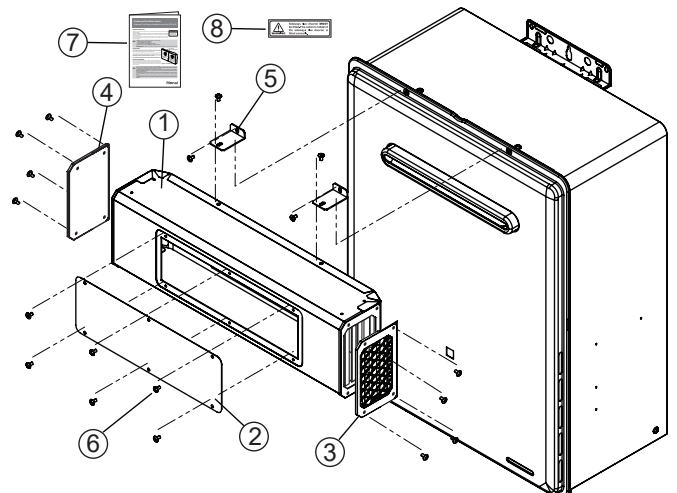
Figure 3

DIVERTER ASSEMBLY AND INSTALLATION

(i) Preparation

Carefully unpack and identify each component before attempting to assemble. Refer to Parts List below.

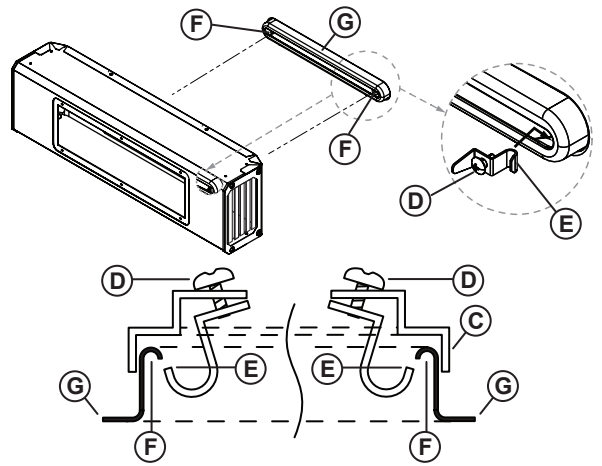
Part No.	Description	Qty
①	Sideways Flue Diverter (ASSY)	1
②	Front Cover	1
③	Vent Cover	1
④	Side Cover	1
⑤	Support Bracket	2
⑥	Screws M4X8	16
⑦	Manual	1
⑧	Warning Label	1



(ii) Fitting Flue Diverter Assembly To The Appliance

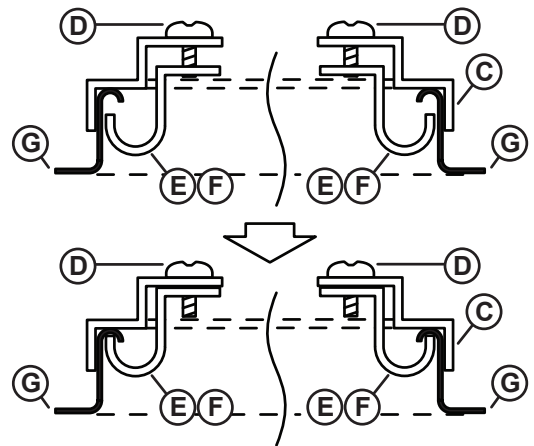
1. Loosen the 2 adjustment screws (D) located inside of flue diverter assembly.

This allows cup hooks (E) to be positioned inside the lip (F) of the appliance flue terminal (G).



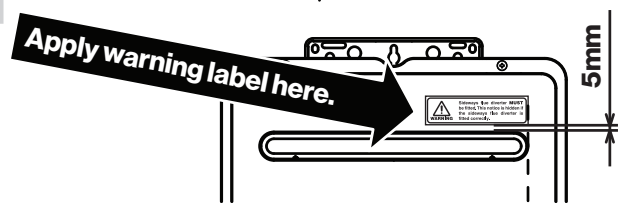
(iii) Securing Flue Diverter To The Appliance

1. Align the cup hooks (E) with the lip (F) so that when the 2 adjustment screws (D) are re-tightened both will engage.
2. Re-tighten the 2 adjustment screws (D) until the cup hooks (E) and (F) the lip are firmly engaged and secured.
3. Apply the warning label to water heater, aligning the label to the right edge and 5mm below the flue spigot as shown.



The warning label becomes hidden once the sideways flue diverter is fitted to the appliance.

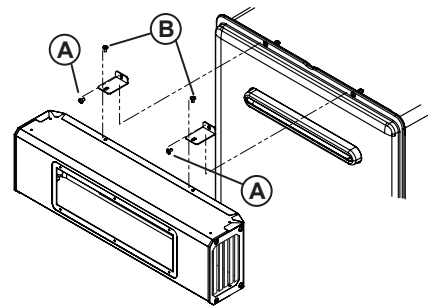
This warning label reminds a service person to replace the sideways flue diverter after servicing activities.



(iv) Attaching Support Brackets

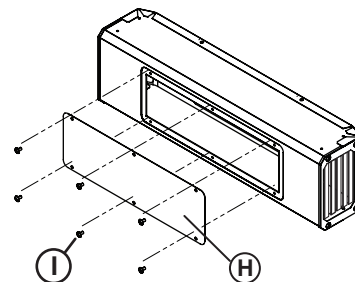
Remove two screws (A) located on the water heater. Install two support brackets with these two screws.

Secure two brackets on the flue diverter assembly with two supplied screws (B).



(v) Attach the Front Cover

Attach the front cover (H) to the flue diverter assembly with 6 supplied screws (I).



(vi) Left or Right Handed Installations

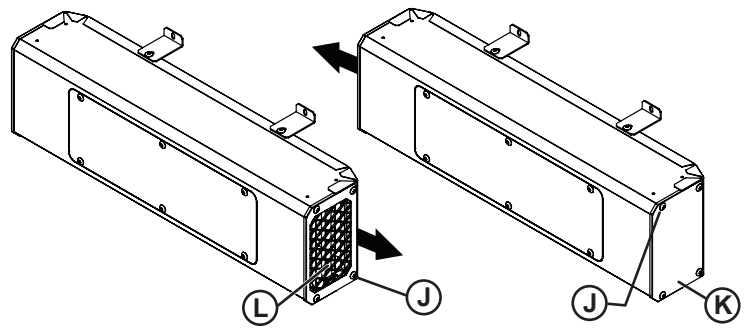
The sideways diverter can be installed for left or right handed flue product discharge.

Assemble vent cover (L) with four screws (J) on the left or right side of flue diverter to set the discharge direction.

Assemble the side cover (K) with four screws (J) on the right or left side of flue diverter.

Right exhaust

Left exhaust



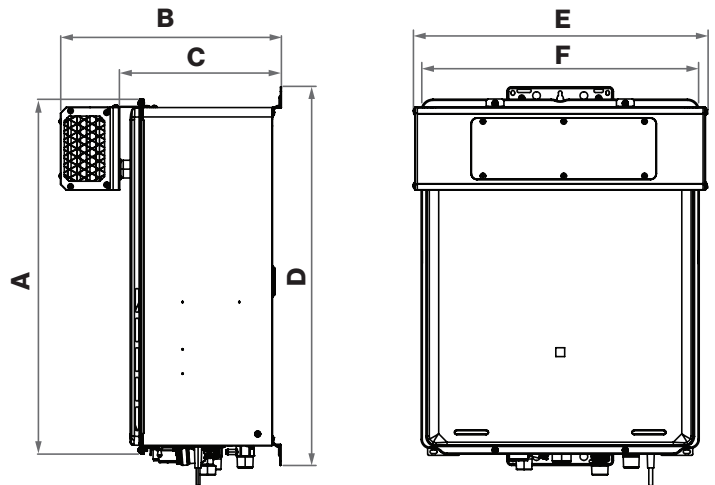
The arrows ← / → in the images denote the flue product discharge direction.



NO SIDEWAYS FLUE DIVERTER EXTENSION (SFDE) for this SFD.

SFD Key Installation Dimensions (mm)

Dimensions	AM Series
	REU-AM3237W/WC
A	600
B	373
C	271
D	640
E	491
F	470



Please note that the contact details and the below are for installations in Australia only. For all enquiries outside of Australia please contact your local Rinnai supplier or service agent.

Rinnai Australia Pty Ltd

ABN 74 005 138 769 | AU45204

100 Atlantic Drive, Keysborough, Victoria 3173
 P.O. Box 460, Braeside, Victoria 3195
 Tel: (03) 9271 6625
 Fax: (03) 9271 6622

National Help Line

Tel: 1300 555 545* Fax: 1300 555 655
 Monday to Friday, 8.00 am to 5.00 pm EST.

After Hours Hot Water Service Line

Tel: 1800 000 340*

*Cost of a local call may be higher from a mobile phone.
 (National calls from public phones in Australia are free.)

For further information visit www.rinnai.com.au
 or email enquiry@rinnai.com.au

Rinnai has a Service and Spare Parts network with personnel who are fully trained and equipped to give the best service on your Rinnai appliance. If your appliance requires service, please call our National Help Line. Rinnai recommends that this appliance be serviced every 2 years

With our policy of continuous improvement, we reserve the right to change, or discontinue at any time, specifications or designs without notice.