

### GENERAL INFORMATION

When a pipe cover is installed it will conceal 400mm of pipework. For longer pipe runs, pipe covers can be joined to one another, with each additional pipe cover extending the amount of concealment by a further 400mm.

The pipe covers in this manual are designed to fit specific Rinnai Continuous Flow Water Heater models. Ensure the correct pipe cover is being installed by confirming the model number against that found on the appliance data plate.

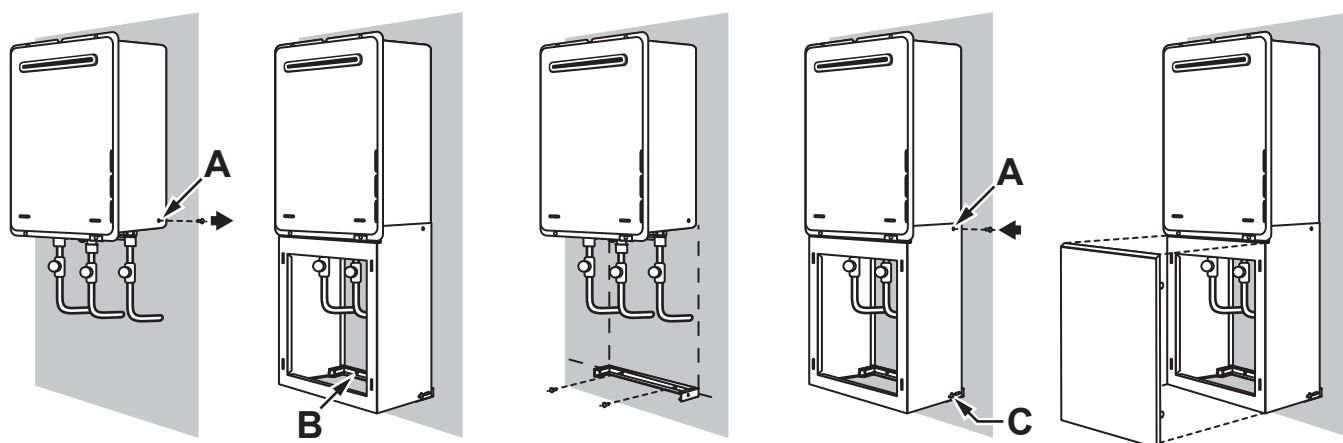
PC 11 / PC11D *	
Infinity 26	REU-VR2626WG †
Infinity 20	REU-VR2024WG †
Infinity 16	REU-VR1620WG †
Infinity 26	REU-VRM2626WG †
Infinity 20	REU-VRM2024WG †
Infinity 16	REU-VRM1620WG †
B26	REU-A2626WB & REU-VR2626WB *
B20	REU-A2024WB & REU-VR2024WB *
B16	REU-A1620WB & REU-VR1620WB *
S26	REU-A2626WS & REU-VR2426WS *
S20	REU-A1620WS & REU-VR1620WS *

PCV01	
Infinity 26i	REU-VRM2632FFUG
HD 200i	REU-VRM2632FFUC #
HD200e	REU-VRM2632WC #
PCV02	
Infinity 32	REU-VR3237WG
Infinity 32	REU-VRM3237WG
HD 250e	REU-VRM3237WC #
Infinity 26 Smartstart	REU-V2626WGP
Infinity 26 Smartstart	REU-VR2626WGP
PCK01	
ENVIROSMART	REU-K2430WG



- \* PC11D = Dune colour, all other water heater models are white.
- # Pipe cover is not available in the HD water heater model colour.
- † Installations may require additional drilling and fixings.

### INSTALLATION METHOD



1. Install water heater and connections, then remove screws (A) from the lower side panels of the water heater.

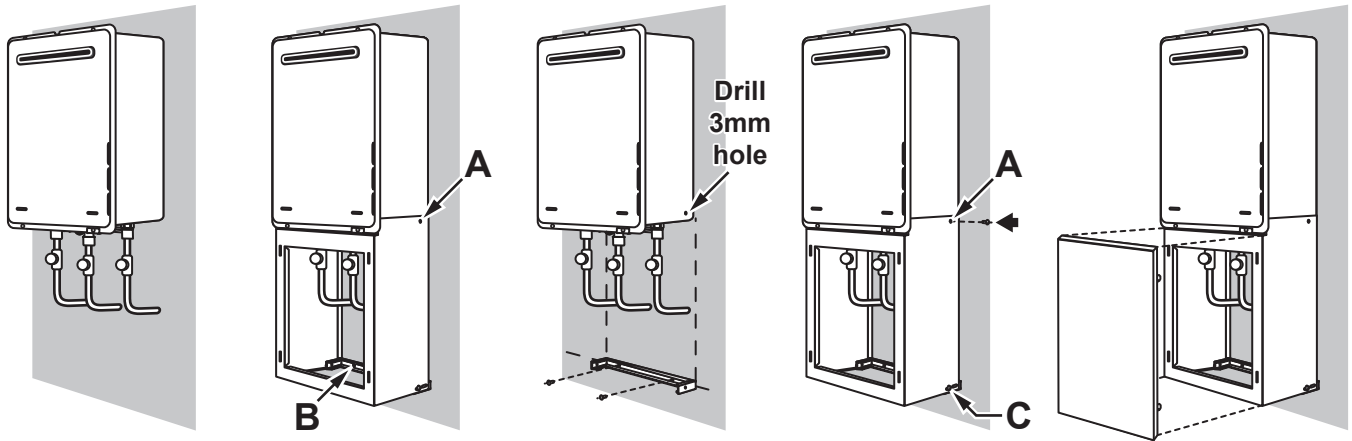


For models where the casing screws are not fitted, refer to "Installation Method - Installer Supplied Casing Screws" on page 2.

2. With the pipe cover held in the installed position, mark the location of the wall bracket securing holes (B).
3. Secure the wall bracket with suitable fixings at the location marked in step 2.
4. Secure pipe cover to water heater with the screws (A) removed in step 2
5. Secure pipe cover to wall bracket (C) with screws provided, use elongated holes to keep components square.
6. Fit the front panel to complete the installation.

## INSTALLATION METHOD - INSTALLER SUPPLIED CASING SCREWS

For models REU-VR/VRM2626WG, REU-VR/VRM2024WG and REU-VR/VRM1620WG it may be necessary to drill pipe cover mounting holes into the water heater casing. If so do the following:



1. Install water heater and connections.
2. With the pipe cover held in the installed position, mark the location of the upper screw holes (**A**) onto the sides of the water heater, also mark the location of the wall bracket securing holes (**B**).
3. Secure the wall bracket with suitable fixings at the location marked in step 2.



**ENSURE THAT THE POWER SUPPLY IS ISOLATED BEFORE ATTEMPTING TO DRILL INTO APPLIANCE CASING.**



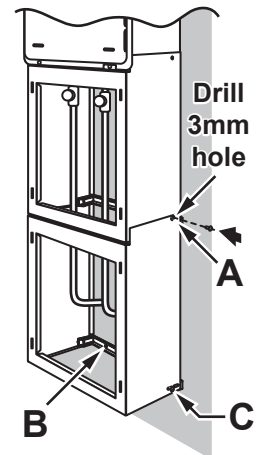
Remove appliance cover to observe that the holes being drilled do not damage any components inside the water heater.

4. Carefully drill 3mm holes into the water heater at the locations marked in step 2.
5. Secure pipe cover to the water heater with two installer supplied short self-tapping screws (**A**).
6. Secure pipe cover to wall bracket (**C**) with screws provided, use elongated holes to keep components square.
7. Fit the front panel to complete the installation.

## INSTALLATION OF ADDITIONAL PIPE COVERS

1. Install the first pipe cover, as per the installation methods described on pages 1 or 2.
2. With the second pipe cover held in the installed position, mark the location of the upper screw holes (**A**) onto the first pipe cover, also mark the location of the wall bracket securing holes (**B**) of the second pipe cover.
3. Secure the second wall bracket with suitable fixings at the location marked in step 2.
4. Carefully drill 3mm holes into the first pipe cover at the locations marked in step 2.
5. Secure both pipe covers together with two installer supplied short self-tapping screws (**A**).
6. Secure second pipe cover to wall bracket (**C**) with the screws provided, use elongated holes to keep components square.
7. Fit the front panels to complete the installation.

Repeat this method as required for each additional pipe cover to be installed.



### Rinnai Australia Pty. Ltd.

ABN 74 005 138 769

100 Atlantic Drive, Keysborough, Victoria 3173

P.O. Box 460, Braeside, Victoria 3195

AU45204

Rinnai has a Service and Spare Parts network with personnel who are fully trained and equipped to give the best service on your Rinnai appliance. If your appliance requires service, please call our National Help Line. Rinnai recommends that this appliance be serviced every 1 year.

With our policy of continuous improvement, we reserve the right to change, or discontinue at any time, specifications or designs without notice.

### Product Sales & Service National Help Line

Tel: **1300 555 545\***

\*Monday to Friday,  
8.00am to 5.00pm EST

Fax: **1300 555 655**

For further information visit

[www.rinnai.com.au](http://www.rinnai.com.au)  
or email [enquiry@rinnai.com.au](mailto:enquiry@rinnai.com.au)